



## PILOT OPERATED DIAPHRAGM TYPE SOLENOID VALVE

(Normally Close)

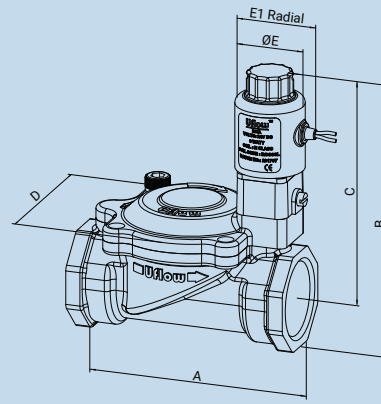
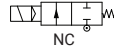


Diagram No. 15.1



## SPECIFICATIONS

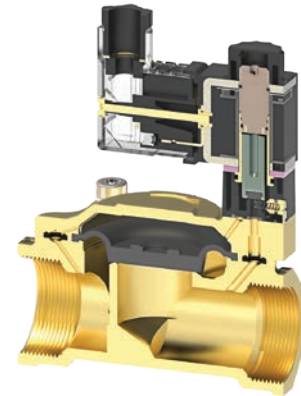
Port :	Refer below technical data sheet (Available BSP / NPT)				
End Connection :	Screwed / Flange				
Body Material :	SS ASTM A351 Grade CF8 / CF8M, Forged Brass				
Diaphragm :	Nitrile (NBR)	EPDM	Viton (FKM)		
Media Temp :	-30° C to 90° C	-10° C to 140° C	-10° C to 180° C		
Circumstance Temp :	-10° C to 70° C				
Media :	Air, Water, Chemical, Gas, Oil, Diesel, Kerosene, LPG.				
Main Features :	Internal Parts are in superior corrosion resistance steel, (Equivalent to SS316L) Suitable for Food Industries, Pharmaceuticals, Chemical application & Highly corrosive environment.				
Operating Voltage :	24AC	110AC	230AC	12DC	24DC
Power Consumption :	7W	8W	8W	10W	11W
Coil Features :	High Reliability Unaffected by Voltage Surges. Easy coil changes coil lockable in 4X90 position or freely movable in between as require.				
Coil Housing :	Epoxy square coil, Metallic round enclosure, IP-67 Flameproof enclosure, IP-68 Weatherproof enclosure.				
Optional Feature :	90% Power saver series also available, Manual Override, Water hammering reducer also available to avoid water hammer forces.				
Other Specification Data :	Available on Request.				

**NOTE:** Use of filter in the inlet port is recommended.

## DIMENSION (NC)

All dimensions are in mm

Model No.	Port Size	Diagram No.	A	B	C	D	E	E1
PBN260	½"	15.1	60.50	82	69	38	28	33
PBN360	¾"	15.1	87	90	74	56	28	33
PBN460	1"	15.1	92	107	87	63	28	33
PBN660	1½"	15.1	120	123	96	83	28	33
PCNB8	4"	15.1	262	241	177	186.50	44	57



SECTION VIEW

## TECHNICAL DATA

Model No.	Body Material	Pipe (Inch)	Orifice (mm)	Min. Operating Pressure Kg/cm <sup>2</sup>	Max. Operating Pressure Kg/cm <sup>2</sup>	Seal & Diaphragm Material	Flow Factor Kv m <sup>3</sup> / hr
PBN260	Brass	½"	12	0.30	10	NBR / EPDM / VITON	2.10
PBN360	Brass	¾"	20	0.30	10	NBR / EPDM / VITON	5.50
PBN460	Brass	1"	25	0.30	10	NBR / EPDM / VITON	9
PBN660	Brass	1½"	36	0.30	10	NBR / EPDM / VITON	17.10
PCNB8	CF8 / CF8M	4"	98	0.50	12	NBR / EPDM / VITON	115