



# ANGLE SEAT VALVE WITH PLASTIC OPERATOR

(Normally Close / Open / Bi-Directional)

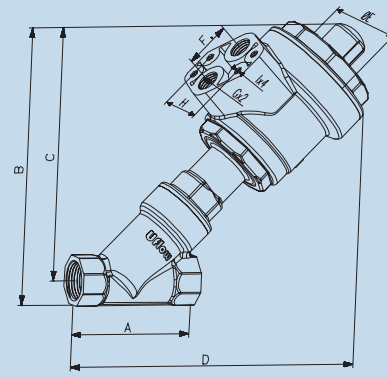
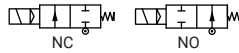


Diagram No. 9.1



## SPECIFICATIONS

Port :	Refer below technical data sheet (Available BSP / NPT)
End Connection :	Screwed / Flange / Tri-Clamp
Body & Sleeve Material :	SS ASTM A351 Grade CF8 / CF8M
Seal :	TEFLON / PEEK / VITON / EPDM
Shaft :	SS304 / SS316
Circumstance Temp :	-10°C to 70°C
Media Temp :	-10°C to 180°C

## FEATURES

- Convertible from single Acting to Double Acting .
- Multiple Function with the same operator - NC / NO / Bi-Directional.
- Rotatable Operator - 360°.
- Namur connection for easy to install Pilot Solenoid Valve (Optional).
- Also available in non-Namur connection operator.
- Transparent dome for visual valve open indication.
- Lubricated air not essential.
- Flow direction below or above the seat.
- Media : Steam, Air, Water, Chemical, Gases, Oil, Diesel, Hot Water.
- Application: Steam, Autoclave and Sterilizer, Ink and Paint dispensing, Industrial compressor bottling and dispensing equipment, textile dyeing and drying and pharmaceutical.

## ACTUATOR TYPE

Cover :	Nylon Glass-Filled (Corrosion resistive) with SS Liner
Seal :	NBR / VITON
Working Pressure :	3.5 to 8 bar (Air)
Life :	Three Million Cycle Tested
Other Technical Data :	Available on Request - High Pressure 25Kg series

**NOTE:** Use of filter in the inlet port is recommended

## DIMENSION

All dimensions are in mm

Model No.	Port Size	Diagram No.	A	B	C	D	E	F	G	H	I
ACP255	½"	9.1	65	141.50	129	151.50	64.50	24	G1/4"	32	M5
ACP355	¾"	9.1	77	151	134	161.50	64.50	24	G1/4"	32	M5
ACP456	1"	9.1	89	194	173	202	85	24	G1/4"	32	M5
ACP556	1¼"	9.1	124	210.50	183	219	85	24	G1/4"	32	M5
ACP656	1½"	9.1	124	210.50	183	219	85	24	G1/4"	32	M5
ACP858	2"	9.1	150	285	250	302	115	24	G1/4"	32	M5

## TECHNICAL DATA

Model No.	Body Material	Pipe (Inch)	Orifice (mm)	Min. Operating Pressure Kg/cm <sup>2</sup>	Max. Operating Pressure Kg/cm <sup>2</sup>	Seal & 'O' Ring Material	Flow Factor Kv m <sup>3</sup> / hr
ACP255	CF8 / CF8M	½"	14.50	0	16	PTFE / PEEK / VITON	6
ACP355	CF8 / CF8M	¾"	20	0	16	PTFE / PEEK / VITON	10.9
ACP456	CF8 / CF8M	1"	25	0	16	PTFE / PEEK / VITON	21
ACP556	CF8 / CF8M	1¼"	40	0	16	PTFE / PEEK / VITON	35
ACP656	CF8 / CF8M	1½"	40	0	16	PTFE / PEEK / VITON	49
ACP858	CF8 / CF8M	2"	50	0	16	PTFE / PEEK / VITON	68

For clarification about pressure range ask for the individual catalogue.



SECTION VIEW