



5X3 HAND LEVER VALVE MANUAL RETURN

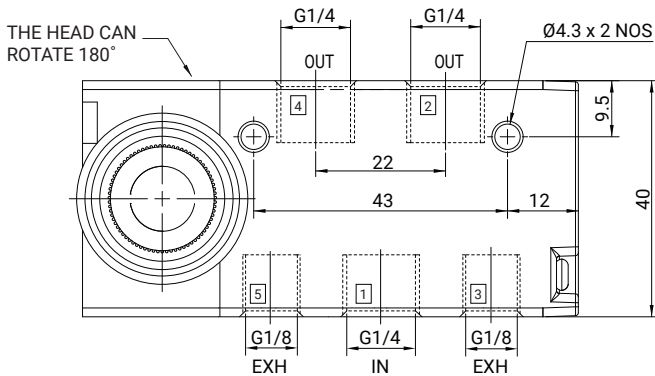
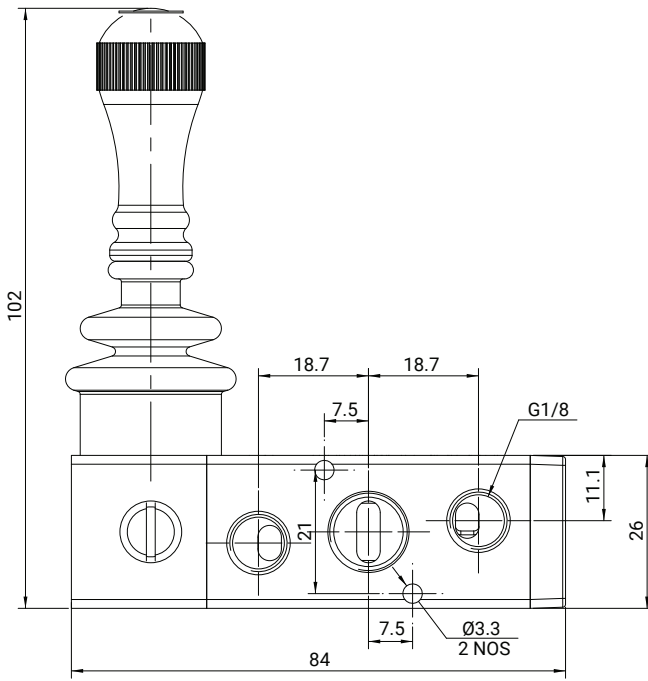
Specification

Model Information	
Model No	LCA1DB, LCA1DE, LCA1DP
Type	5X3
Design	Spool with Cartridge Type
Port Size	In/Out/Exhaust - 1/4" BSP & Pilot Port 1/8" BSP
Media	Compressed Air, Filtered & Lubricated
Working Pressure Range	0 - 10 bar
Ambient/Medium Temperature	5° - 60° C
Flow	1200 lpm
Materials of Construction	Aluminium, Nitrile, Brass, Polymer

Features

- ✔ Cartridge Type design for Long Life
- ✔ Compact Design
- ✔ Lubrication not essential
- ✔ The head can rotate 180°
- ✔ 20 Lacs Cycle tested

Diagram



1 - Input, 2/4 - Output, 3/5 - Exhaust

Model	Function	Symbol
LCA1DB	CENTERED BLOCKED	
LCA1DE	CENTERED EXHAUSTED	
LCA1DP	CENTERED PRESSURISED	

Symbol



Product Image