



5X2 HAND LEVER VALVE

Specification

Model Information	
Model No	LFA1, LFA1D
Type	5X2
Design	Spool with Cartridge Type
Port Size	In/Out- 1/4" BSP & Exhaust - 1/8" BSP
Media	Compressed Air, Filtered & Lubricated
Working Pressure Range	0- 10 bar
Ambient/Medium Temperature	5° - 60° C
Flow	1200 lpm
Materials of Construction	Aluminium, Nitrile, Brass, Polymer

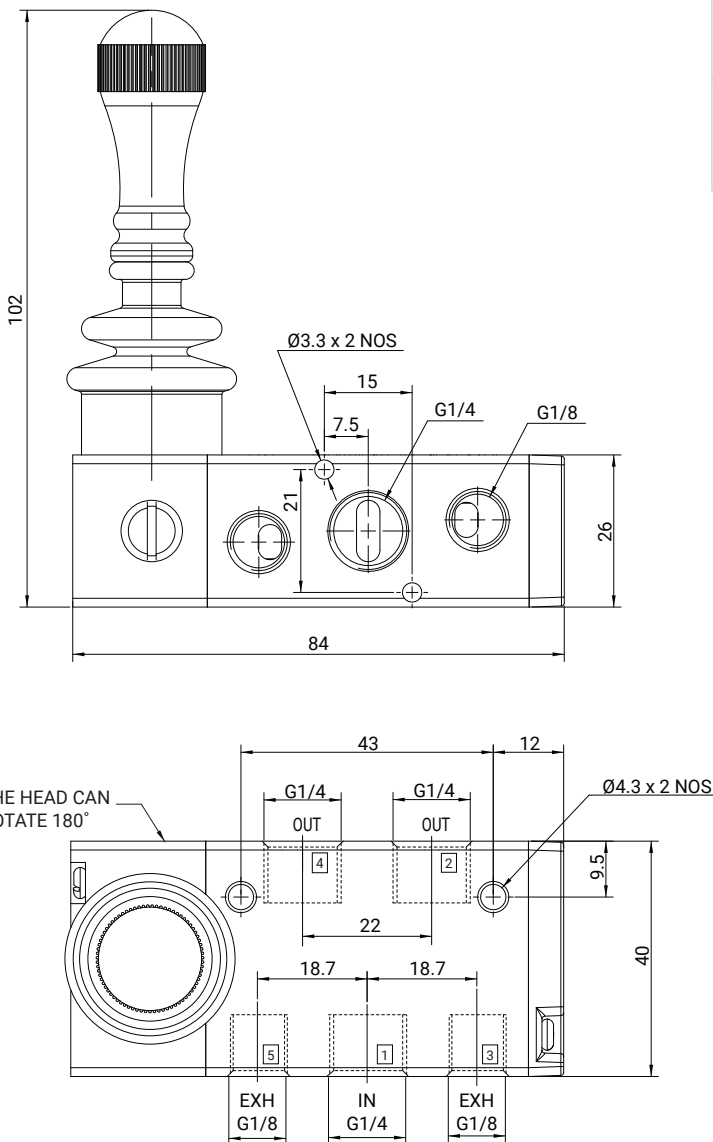
Features

- ✔ Cartridge Type design for Long Life
- ✔ Compact Design
- ✔ Lubrication not essential
- ✔ The head can rotate 180°
- ✔ 20 Lacs Cycle tested

1 - Input, 2/4 - Output, 3/5 - Exhaust

Model	Function	Symbol
LFA1	SPRING RETURN	
LFA1D	MANUAL RETURN	

Diagram



1odmry2

Product Image