



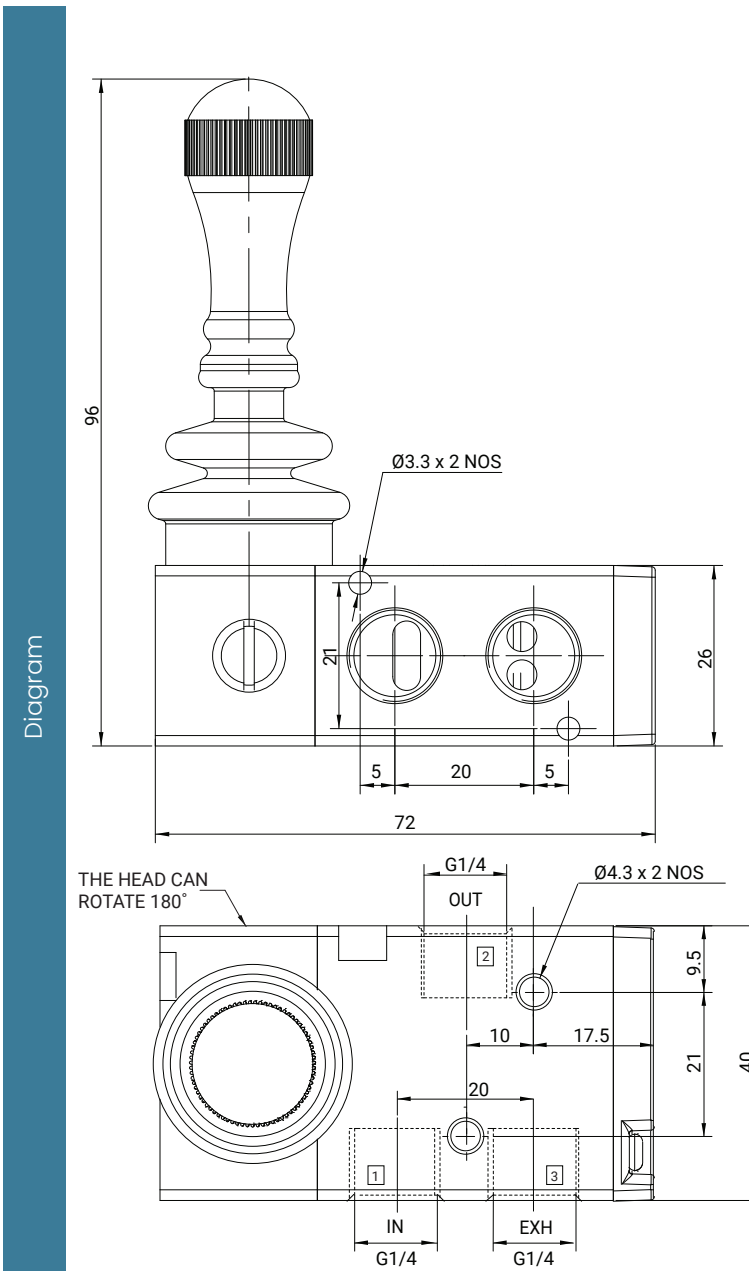
3X2 HAND LEVER VALVE

Specification

Model Information	
Model No	LTA1, LTA1D, LTA1Z
Type	3X2
Design	Spool with Cartridge Type
Port Size	In/Out/Exhaust - 1/4" BSP
Media	Compressed Air, Filtered & Lubricated
Working Pressure Range	0 - 10 bar
Ambient/Medium Temperature	5° - 60° C
Flow	1200 lpm
Materials of Construction	Aluminium, Nitrile, Brass, Polymer

Features

- ✔ Cartridge Type design for Long Life
- ✔ Compact Design
- ✔ Lubrication not essential
- ✔ The head can rotate 180°
- ✔ 20 Lacs Cycle tested



1 - Input, 2 - Output, 3 - Exhaust

Model	Function	Symbol
LTA1	SPRING RETURN (NC)	
LTA1Z	SPRING RETURN (NO)	
LTA1D	MANUAL RETURN	

Symbol



Product Image