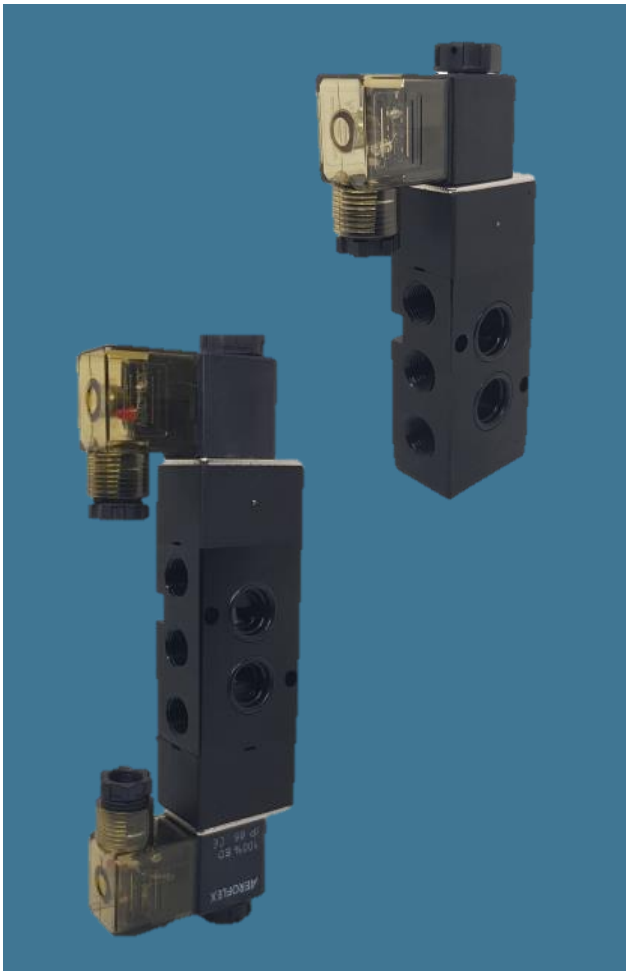
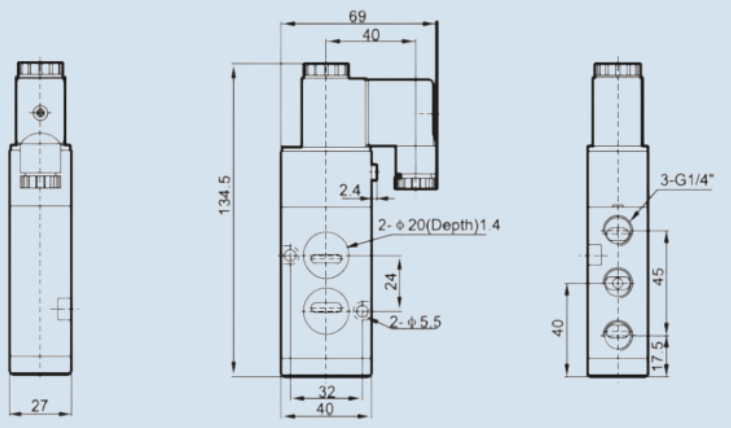




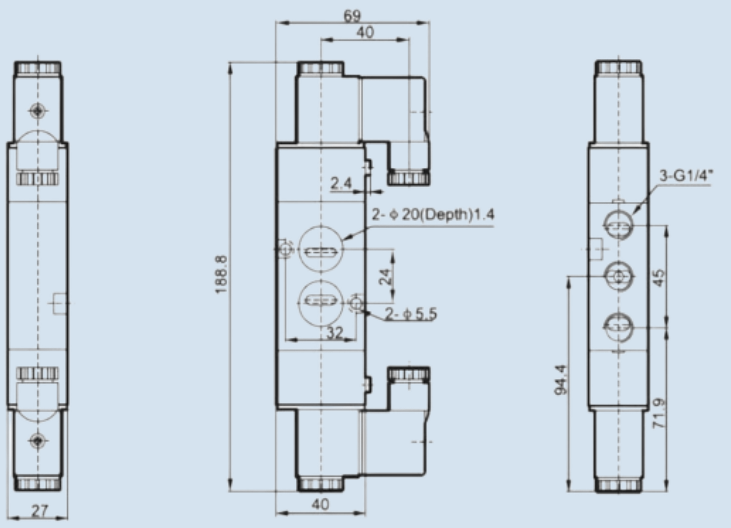
V Series - Single & Double Namur Solenoid Valves with Spring Return



V4-308N

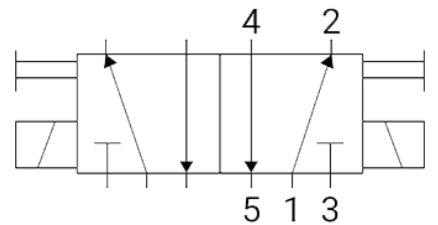


DV4-308N

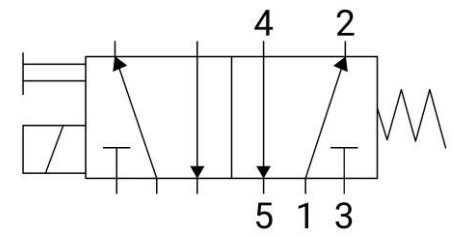


SPECIFICATIONS

Item Name :	Namur Solenoid Valve with Spring Return
Design :	Compact Body Spool Operated (Inner Guide Motion)
Type :	5 Port 2 Position (5/2 Way)
Coil Actuation :	Single Solenoid Coil / Double Solenoid Coil
End Connection :	Screwed Ends
Port Size :	Available in 1/4" (Refer Technical Data)
Voltage :	All Standard Voltages available (230v AC, 24v DC, 110v AC, 12v DC, 24v AC)
Media :	Filtered Air
Body Material :	Aluminium Alloy
Working Pressure :	0.15 to 0.8 MPa
Proof Pressure :	1.2 MPa
Seal :	NBR
Temperature :	5°C To 50°C



Circuit Diagram (Double)



Circuit Diagram (Single)

TECHNICAL DATA

Model No.	In & Exhaust Port Size	Out Port	Actuation	Fluid	Temperature	Effective Section Area mm ²	Cv Value	Frequency	Shortest Excitation Time
V4-308N	1/4" BSP	Namur	Single Coil	Air	5 to 50 ⁰ C	25	1.39	Max. 5 Cycles / Second	0.05s
DV4-308N	1/4" BSP	Namur	Double Coil	Air	5 to 50 ⁰ C	25	1.39	Max. 5 Cycles / Second	0.05s