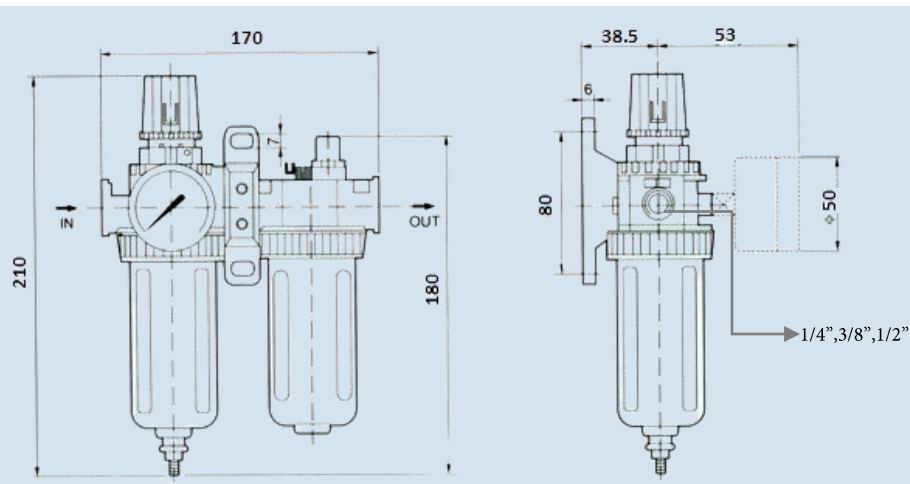


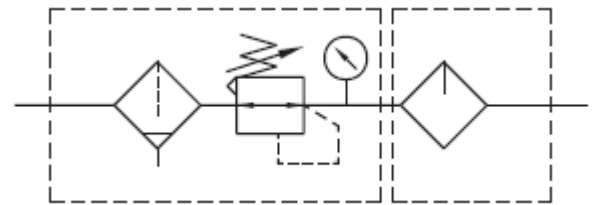


S Series FRL Unit



SPECIFICATIONS

Function :	Filter Regulator & Lubricator Unit
End Connection :	Screwed
Body Material :	Aluminium Alloy
Seal :	Brass, NBR
Filter Element :	Bronze
Bowl Assembly:	Polycarbonate With Bowl Guard
Media :	Air
Max. Operating Pressure:	10 Bar
Working Pressure :	1.5 to 8.5 Bar
Regulator Construction :	Relieving Type
Recommended Lubricant :	Class 1 Turbine Oil (ISO VG32)



Circuit Diagram

TECHNICAL DATA

Model No.	Port Size	Guage Port	Fluid	Temperature	Filtration Rating	Working Pr. Range	Max. Flow Rate
SFC4000-14	1/4" BSP	1/4"	Air	5 to 60 ⁰ C	40 μm	1.5 to 8.5 Bar	2500 L/min.
SFC4000-38	3/8" BSP	1/4"	Air	5 to 60 ⁰ C	40 μm	1.5 to 8.5 Bar	2500 L/min.
SFC4000-12	1/2" BSP	1/4"	Air	5 to 60 ⁰ C	40 μm	1.5 to 8.5 Bar	2500 L/min.

* Condition : Under Standard Pressure, Port Size – 1/4 & 3/8 with adaptor