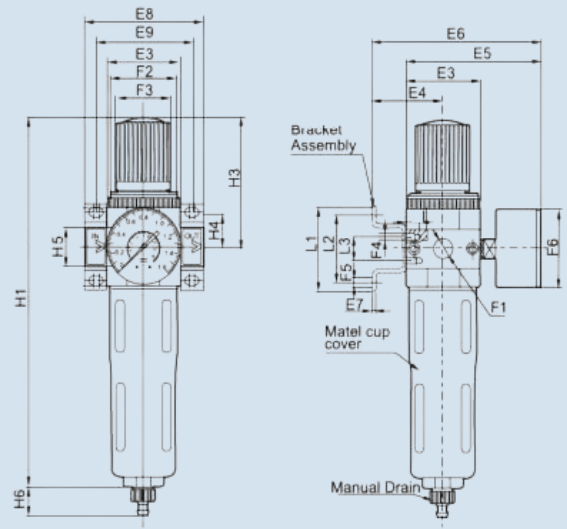
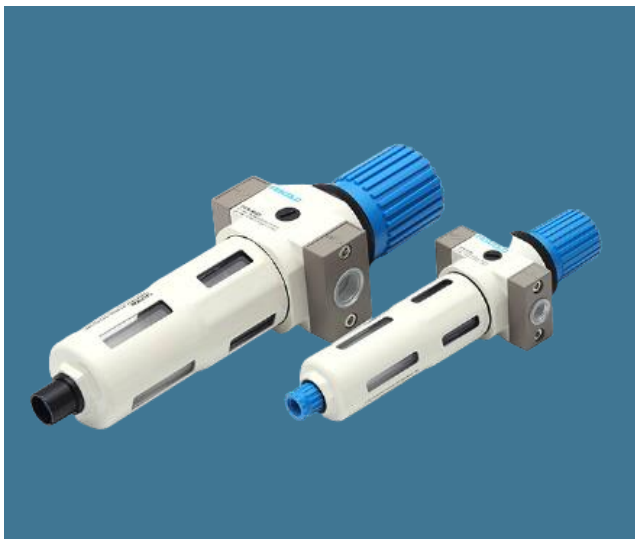


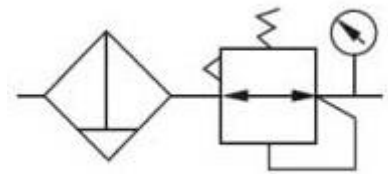


F Series FR Unit



SPECIFICATIONS

Function :	Filter Regulator Combination Unit
End Connection :	Screwed
Body Material :	Aluminium Die Cast
Valve Assembly & Seal :	Brass, NBR
Filter Element :	Bronze
Bowl Assembly:	Polycarbonate With Metal Bowl Guard
Media :	Air
Working Pressure :	0.5 to 1.2 Bar
Regulator Construction :	Relieving Type
Recommended Lubricant :	Class 1 Turbine Oil (ISO VG32)



Circuit Diagram

DIMENSION

Port	E3	E4	E5	E6	E7	E8	E9	F1	F2	F3	F4	F5	F6
1/4"	40	39	74	92	2	64	52	G 1/4"	36 X 1.5	31	M4	4.5	40
1/2"	55	47	93	112	3	85	70	G 1/2"	52 X 1.5	50	M5	5.5	52

Port	L1	L2	L3	H1	H3	H4	H5	H6
1/4"	44	35	11	194	69	17.5	20	15
1/2"	72	60	22	250	97	25.5	32	15

TECHNICAL DATA

Model No.	Port Size	Gauge Port	Fluid	Temperature	Filtration Rating	Working Pr. Range	Capacity of Condensate Fluid	Nominal Flow Rate L/Min.*
WO2-FST	1/4" BSP	1/8"	Air	5 to 60°C	40 µm	0.5 to 1.2 Bar	22ml	1400
WO4-FST	1/2" BSP	1/4"	Air	5 to 60°C	40 µm	0.5 to 1.2 Bar	43ml	3400

* Condition : Under Standard Pressure