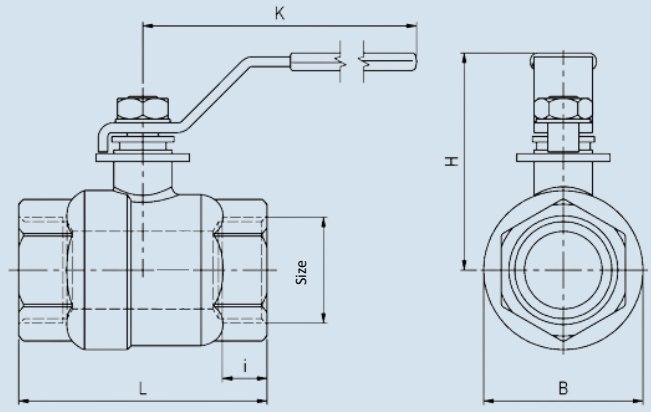


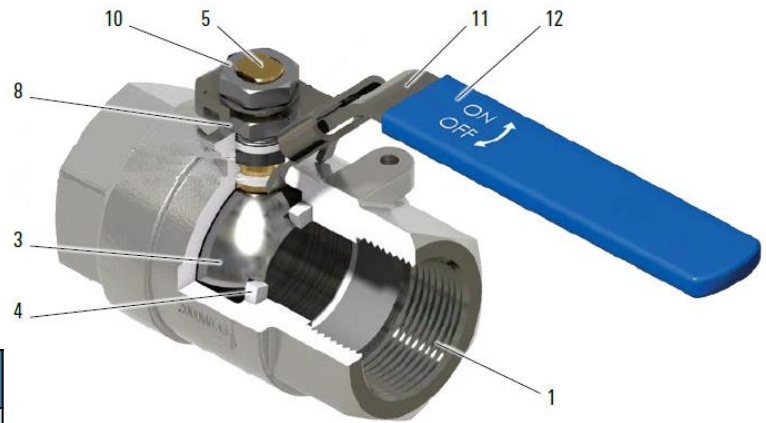


## BRASS BALL VALVES



### SPECIFICATIONS

Item :	Ball Valve
Body :	Brass Forged
Seat :	PTFE
Inlet / Outlet :	Female Thread
Operation :	Manually Operated using Handle



### DIMENSION

Size	DN	K	I	L	H	B	Net Weight
1/4"	DN08	70	12	45	34	20	100g
3/8"	DN10	70	11	43	35	23	100g
1/2"	DN15	100	13	52	50	27	160g
3/4"	DN20	100	14	58	54	35	240g
1"	DN25	110	15	64	60	40	400g
1 1/4"	DN32	110	15	72	65	51	470g
1 1/2"	DN40	145	17	82	77	57	700g
2"	DN50	145	19	95	85	58	920g



### MATERIAL OF CONSTRUCTION

Serial No.	Quantity	Part	Material
1	1	Body	Forged Brass
3	1	Ball	Brass
4	2	Seat	PTFE
5	1	Stem	Brass
8	1	Packing Nut	Brass
10	1	Nut	Brass
11	1	Handle	Steel
12	1	Handle Sleeve	PVC