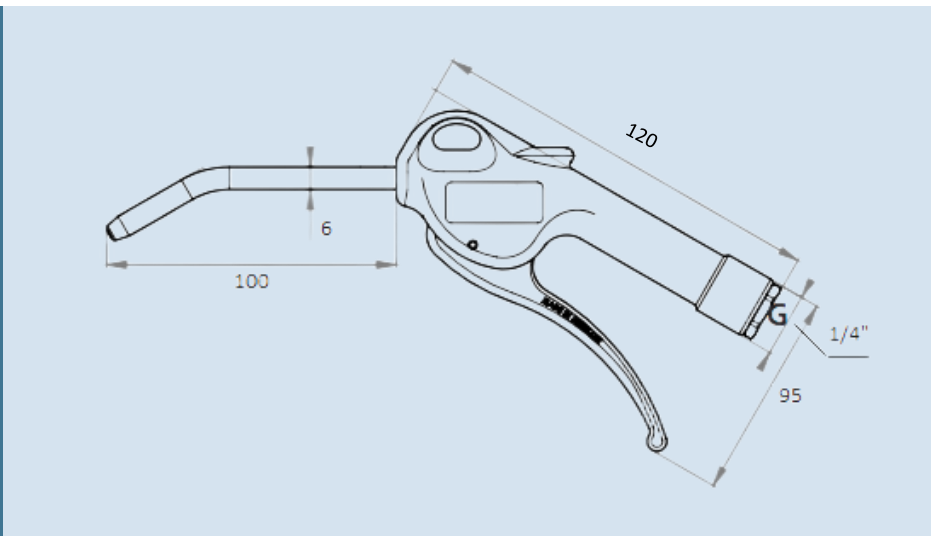
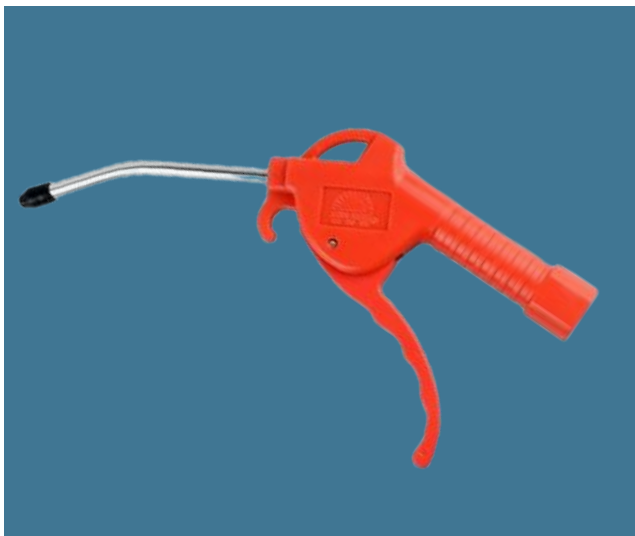




## Air Blow Gun – AGS



## SPECIFICATIONS

Item :	Air Blow Gun
Material of Construction :	Plastic Body
Body :	Light Duty
Inlet :	Female Thread with Metal Insert
Port Size :	1/4"
Media :	Compressed Air
Nozzle :	100 mm Long
Operation :	Lever/Trigger Operated

## TECHNICAL DATA

Model No.	MoC	Port Size	Fluid	Temperature	Working Pressure
AGS	Plastic Body	1/4"	Compressed Air	5 to 60 <sup>0</sup> C	Up to 100 PSI

\* Under Standard Condition

## APPLICATIONS

- Blowing off chips in machine tools
- Foundries
- Service Stations
- Assembly lines
- Painting (Part cleaning)
- Textile mills
- Injection moulding machines (cooling of moulds)
- Pressure die casting machines
- And many more Industrial uses

## BENEFITS

- Easy handling
- Compact Size
- Attractive Design
- Good Flow and Characteristics