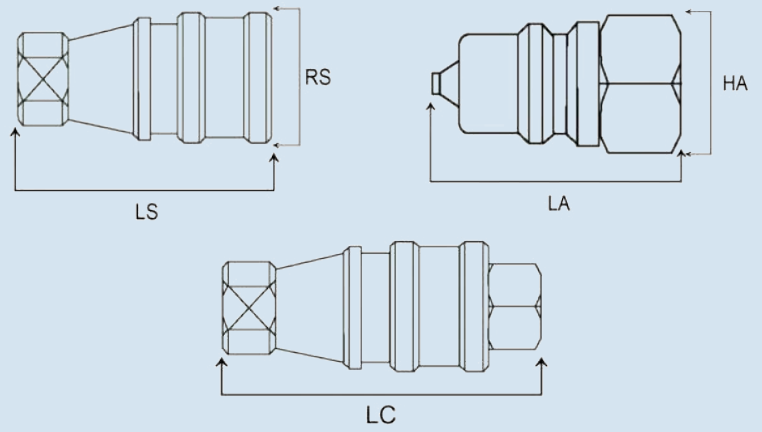
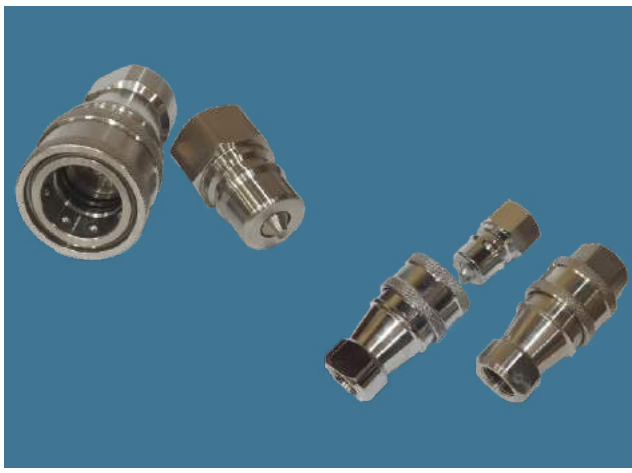




Quick Release Coupling



SPECIFICATIONS

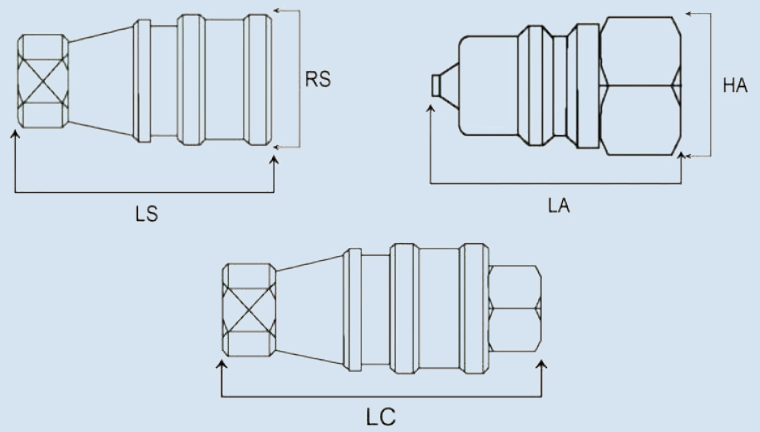
Product :	Quick Release Coupling (QRC)
Port :	Refer technical data sheet (Available in BSP threading)
End Connection :	Screwed (Female Threaded)
Body Material :	Mild steel (Chrome Plated)/ Stainless Steel (SS Finish)
Body & Ball :	Mild Steel (MS) Chromed
Seal :	Nitrile – NBR (Double Seal for strong gripping in pressure)
Media :	Fluid
Working Pressure :	1000 PSI to 3000 PSI
Media Temperature :	- 25 deg C to + 100 deg C

DIMENSION

Model No.	Nominal Size (inch)	HA	LA	RS	LS	LC
MSDC-14 / SSDC-14	1/4" BSP	19	40	28	57	70
MSDC-38 / SSDC-38	3/8" BSP	21	45	35	67	80
MSDC-12 / SSDC-12	1/2" BSP	29	50	40	72	90
MSDC-34 / SSDC-34	3/4" BSP	32	55	45	77	100
MSDC-100 / SSDC-100	1" BSP	40	65	55	85	110
MSDC-114 / SSDC-114	1.1/4" BSP	54	70	73	90	125
MSDC-112 / SSDC-112	1.1/2" BSP	57	73	75	97	128
MSDC-200 / SSDC-200	2" BSP	67	83	85	112	145

TECHNICAL DATA

Model No.	Nominal Size (mm)	Nominal Size (inch)	Working Pressure (PSI)
MSDC-14 / SSDC-14	6.3	1/4" BSP	2500
MSDC-38 / SSDC-38	10	3/8" BSP	2500
MSDC-12 / SSDC-12	12.5	1/2" BSP	2200
MSDC-34 / SSDC-34	20	3/4" BSP	2200
MSDC-100 / SSDC-100	25	1" BSP	2000
MSDC-114 / SSDC-114	32	1.1/4" BSP	2000
MSDC-112 / SSDC-112	40	1.1/2" BSP	1500
MSDC-200 / SSDC-200	50	2" BSP	1500



Instruction for Use :

- Prior to connecting, ensure that the mating parts of the couplings i.e. is the male and female ends are clean and free of dirt to avoid contamination of the hydraulic system.
- To connect, pull the collar on the female socket back and insert the male plug as far as it will go. Release the collar to lock the coupling together.
- To disconnect, pull the collar on the female socket back and allow the male plug to disengage.

Caution :

- Under no circumstances should the coupling be connected or disconnected with pressure in the hydraulic system.
- Whilst in use, the coupling may become hot. Protective gloves should be worn when handling in such situation.
- To reduce the risk of contamination, the use of protective plugs and caps on the coupling when it is disconnected is recommended.

Please Note :

**Dimensions provided are for reference only and are subject to change as per design modification.