

PILOT OPERATED DIAPHRAGM TYPE SOLENOID VALVE

(Normally Close Open)

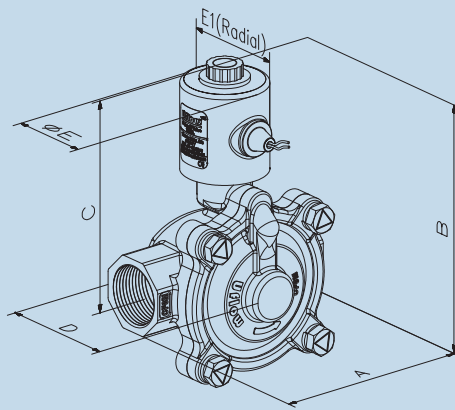
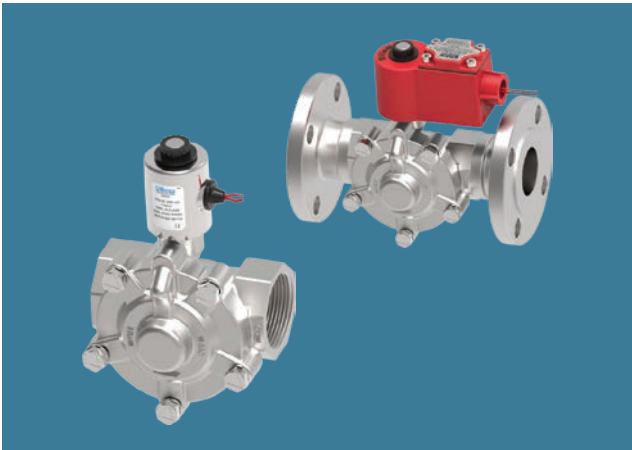
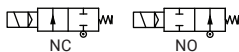


Diagram No. 14.1



SPECIFICATIONS

Port :	Refer below technical data sheet (Available BSP / NPT)				
End Connection :	Screwed / Flange				
Body Material :	SS ASTM A351 Grade CF8 / CF8M				
Diaphragm :	Nitrile (NBR)	EPDM	Viton (FKM)		
Media Temp :	-30° C to 90° C	-10° C to 140° C	-10° C to 180° C		
Circumstance Temp :	-10° C to 70° C				
Media :	Air, Water, Chemical, Gas				
Main Features :	Internal Parts are in superior corrosion resistance steel, (Equivalent to SS316L) Suitable for Food Industries, Pharmaceuticals, Chemical application & Highly corrosive environment.				
Operating Voltage :	24AC	110AC	230AC	12DC	24DC
Power Consumption :	7W	8W	8W	10W	11W
Coil Features :	High Reliability Unaffected by Voltage Surges. Easy coil changes coil lockable in 4X90 position, or freely movable in between as require.				
Optional Feature :	90% Power saver series also available, Manual Override, Water hammering reducer also available to avoid water hammer forces.				
Other Specification Data :	Available on Request - High Pressure 20Kg Series.				

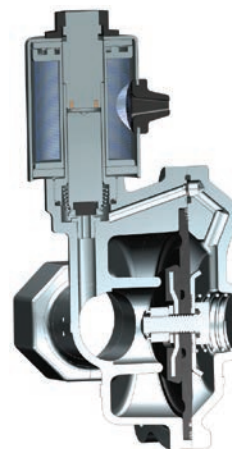
NOTE: Use of filter in the inlet port is recommended.

DIMENSION (NC)

All dimensions are in mm

Model No.	Port Size	Diagram No.	A	B	C	D	E	E1
PCN28	½"	14.1	67	122.50	95	45	48	57
PCN38	¾"	14.1	81	130	97.50	55	48	57
PCN48	1"	14.1	96	145.50	104	64	48	57
PCN58	1¼"	14.1	108	172	116	88	48	57
PCN68	1½"	14.1	108	172	116	88	48	57
PCN88	2"	14.1	132	191	125	98	48	57
PCN98	2½"	14.1	166	212	140	126.50	48	57
PCNA8	3"	14.1	192	236.50	151	138	48	57

In normally open valve dimension B&C will increase up to 8mm.



SECTION VIEW

TECHNICAL DATA

Model No.	Body Material	Pipe (Inch)	Orifice (mm)	Min. Operating Pressure Kg/cm ²	Max. Operating Pressure Kg/cm ²	Seal & Diaphragm Material	Flow Factor Kv m ³ / hr
PCN28	CF8 / CF8M	½"	17	0.5	12	NBR / EPDM / VITON	03.20
PCN38	CF8 / CF8M	¾"	20	0.5	12	NBR / EPDM / VITON	5
PCN48	CF8 / CF8M	1"	25	0.5	12	NBR / EPDM / VITON	8.20
PCN58	CF8 / CF8M	1¼"	36	0.5	12	NBR / EPDM / VITON	12.20
PCN68	CF8 / CF8M	1½"	36	0.5	12	NBR / EPDM / VITON	17.10
PCN88	CF8 / CF8M	2"	48	0.5	12	NBR / EPDM / VITON	29.90
PCN98	CF8 / CF8M	2½"	60	0.5	12	NBR / EPDM / VITON	43.50
PCNA8	CF8 / CF8M	3"	72	0.5	12	NBR / EPDM / VITON	64.50